

Fluido®

Blood and Fluid Warming



Fluido®
AirGuard
System



Fast
Safe
Easy

TSCI

The Surgical Company
International B.V.

The Next Generation for Blood and Fluid Warming

The Fluido® blood and fluid warming unit is based on infra red technology. It is a safe, dry and reliable method preventing the possibility of contamination when using water based systems.

The Fluido® warms to the desired temperature in only 30 seconds and is suitable for all applications. From standard anaesthesia to high flow trauma and urology.

What you set is what you get

The Fluido® is fast, accurate and safe. It provides intelligent heat, through inline flow and temperature measurement in the disposable cassette. The software calculates the loss of heat in the patient line and adjusts its heat capacity accordingly. The set temperature is the temperature at the end of the patient line.

Take away cassette concept

The Fluido® disposables are very easy to interchange. Simply eject the cassette and take it with your patient to a department with a Fluido® unit available. Switch the Fluido® on and insert the cassette. You only need one disposable per patient.



The Fluido® disposable cassettes are made of high quality rigid material and are provided with a backflow valve. The cassette is therefore easy to handle and prevents any backflow.



A Fast,
Safe &
Easy
System

Fluido® AirGuard System • Safety First

The Fluido® AirGuard System warms blood and fluids fast, safe and easy, by using infra red technology. This is a dry method and eliminates the threat of contamination. The Fluido® AirGuard System is suitable for all applications in every situation; from standard anaesthesia to high flow trauma and urology.



Fluido® Pressure Chambers

- For 500 ml and 1000 ml Bags
- Pressure Regulator (0-300 mmHg)
- Pressurised in 15 Seconds

Fluido® I.V. Pole

- Integrated Air Tube
- 5 Wheel Support
- Stable Design

Fluido® Blood and Fluid warmer

- Cardiac Floating
- Set Temperature 30°C - 39°C
- Flow & Volume Indicator

Fluido® Air Guard

- Air Detection
- Automatic Shut off Clamp
- Cardiac Floating

Fluido® Compressor

- Silent
- Powerful
- Compact

- Fast**
- Primed & Warm in 30 Seconds
 - Flow Up to 1100 ml/min

- Safe**
- Infra Red Technology
 - Cardiac Floating
 - Air Detection

- Easy**
- User Friendly
 - Take Away Cassette Concept

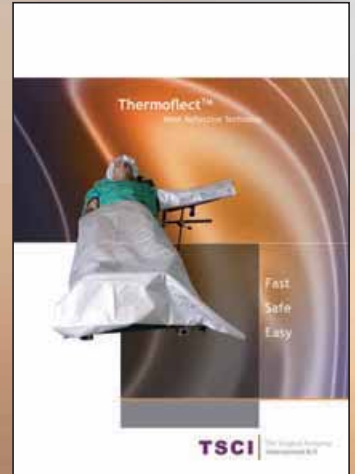
More products from TSCI:
Fluido® & Mistral-Air®
Hypothermia in Cardiac Surgery



Mistral-Air®
Forced Air Warming



Thermoflect™
Heat Reflective Technology



Partner in Patient Temperature Management

TSCI is a leading European company in the field of hypothermia and offers a complete range of innovative solutions for patient temperature management.

Fluido® and Mistral-Air® are registered trademarks of TSCI.

Fluido® products are covered by the following European patents:1313521 and 1446179.

Other patents pending.

Thermoflect™ is a trademark of Encompass Group, LLC.

TSCI

The Surgical Company
International B.V.

Terminalweg 19a
3821 AJ Amersfoort
The Netherlands

P.O. Box 2582
3800 GC Amersfoort
The Netherlands

T +31 (0)33 450 83 83
F +31 (0)33 450 83 71
contact@tsci.nl, www.tsci.nl

 The Surgical
Company
GROUP

Fluido® AirGuard System



Fluido® Blood and Fluid warmer

Article number	651230
Power	6 A
Capacity	1400 W
Voltage	220 - 240 VAC
Frequency	50 Hz
Weight	± 9.5 kg
Dimensions	387 mm x 215 mm x 255 mm
Classification (MDD 93/42/EEC)	Class IIb
Classification (IEC 60601-1)	Class I, Cardiac Floating (CF)
Classification (IEC 60529)	IPX1
Set temperature	30 - 39°C (End of line)
Set temperature stepwise	1°C



Fluido® Air Guard

Article number	660400
Power	25 VA
Voltage	220 - 240 VAC
Frequency	50 Hz
Weight	± 4.5 kg
Dimensions	310 mm x 150 mm x 190 mm
Classification (MDD 93/42/EEC)	Class IIb
Classification (IEC 60601-1)	Class I, Cardiac Floating (CF)
Classification (IEC 60529)	IPX1



Fluido® Pressure Chambers

Article number	660300
Weight	± 4.2 kg
Max. overpressure	300 mmHg ± 10%
Dimensions	370 mm x 400 mm x 150 mm
Classification (MDD 93/42/EEC)	Class IIa
Classification (IEC 60529)	IPX1
Atmospheric pressure range	50 kPa to 106 kPa



Fluido® Compressor

Article number	660200
Power	70 VA
Voltage	220 - 240 VAC
Frequency	50 Hz
Weight	± 2.5 kg
Air flow	18 liter/min (unloaded)
Max. pressure	0.7 bar / 525 mmHg
Noise level	45 dBA
Dimensions	210 mm x 150 mm x 150 mm
Classification (MDD 93/42/EEC)	Class I
Classification (IEC 60601-1)	Class I, Cardiac Floating (CF)
Classification (IEC 60529)	IPX1

Fluido® IV-Pole

Article number	660500
Adjustable height	175 - 250 cm
Pole	∅ 3.8 cm
Base	∅ 75 cm
Wheels	Anti-static, latex free, 2 brakes

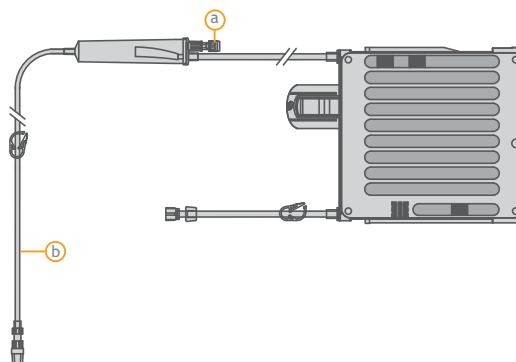
Fluido® Disposable Sets

Fluido®

Article number 671200

Standard Set

- (a) Air relief
- (b) Patient line (150 cm)
- Max flow: 650* ml/min
- Normothermic flow: 20 to 400* ml/min
- Prime volume: 90 ml
- Backflow valve

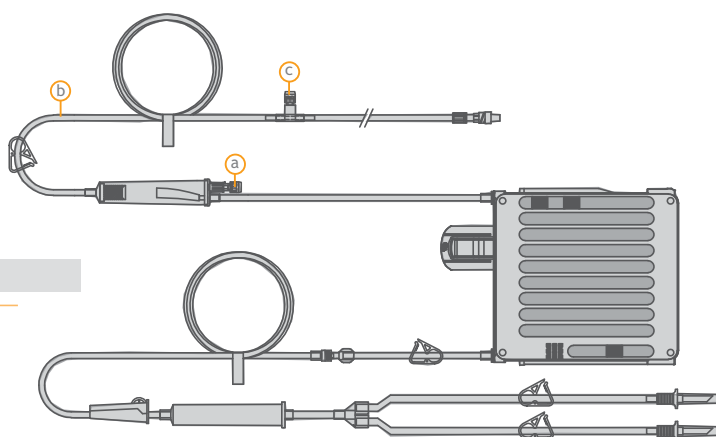


Fluido®

Article number 671500

Trauma Set

- (a) Air relief
- (b) Patient line (150 cm)
- (c) Administration port
- Max flow: 800* ml/min
- Normothermic flow 20 to 750* ml/min
- Filter: 200 µm
- Prime volume: 145 ml
- Backflow valve

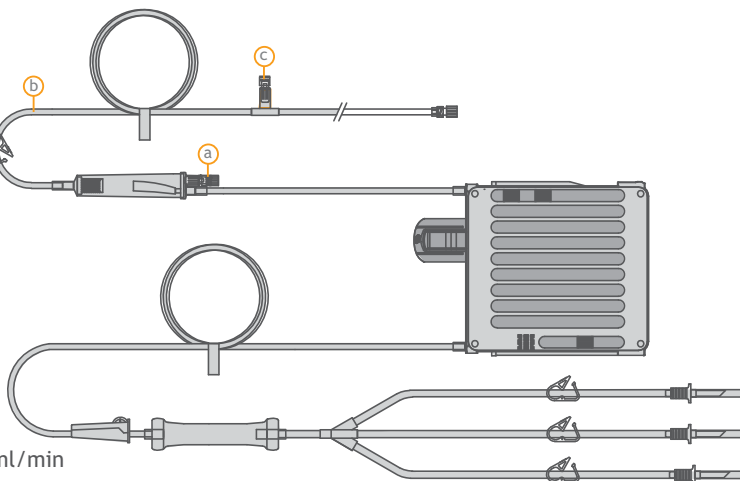


Fluido®

Article number 671700

Trauma Plus Set

- (a) Air relief
- (b) Patient line (200 cm)
- (c) Administration port
- Max flow: 1100* ml/min
- Normothermic flow: 30 to 650* ml/min
- Filter: 200 µm
- Prime volume: 155ml
- Backflow valve



*With 300 mmHg

TSCI

The Surgical Company
International B.V.

Terminalweg 19a, 3821 AJ Amersfoort, The Netherlands - P.O. Box 2582, 3800 GC Amersfoort, The Netherlands
T +31 (0)33 450 83 83, F +31 (0)33 450 83 71, contact@tsci.nl, www.tsci.nl